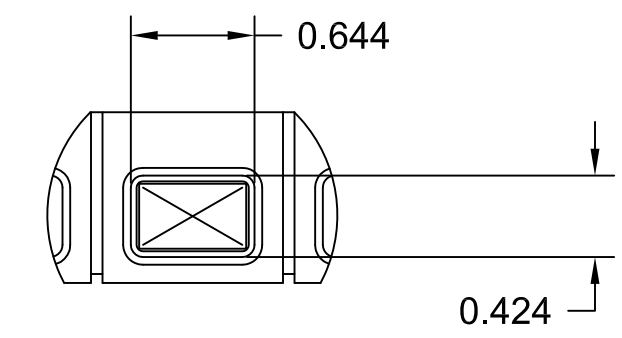
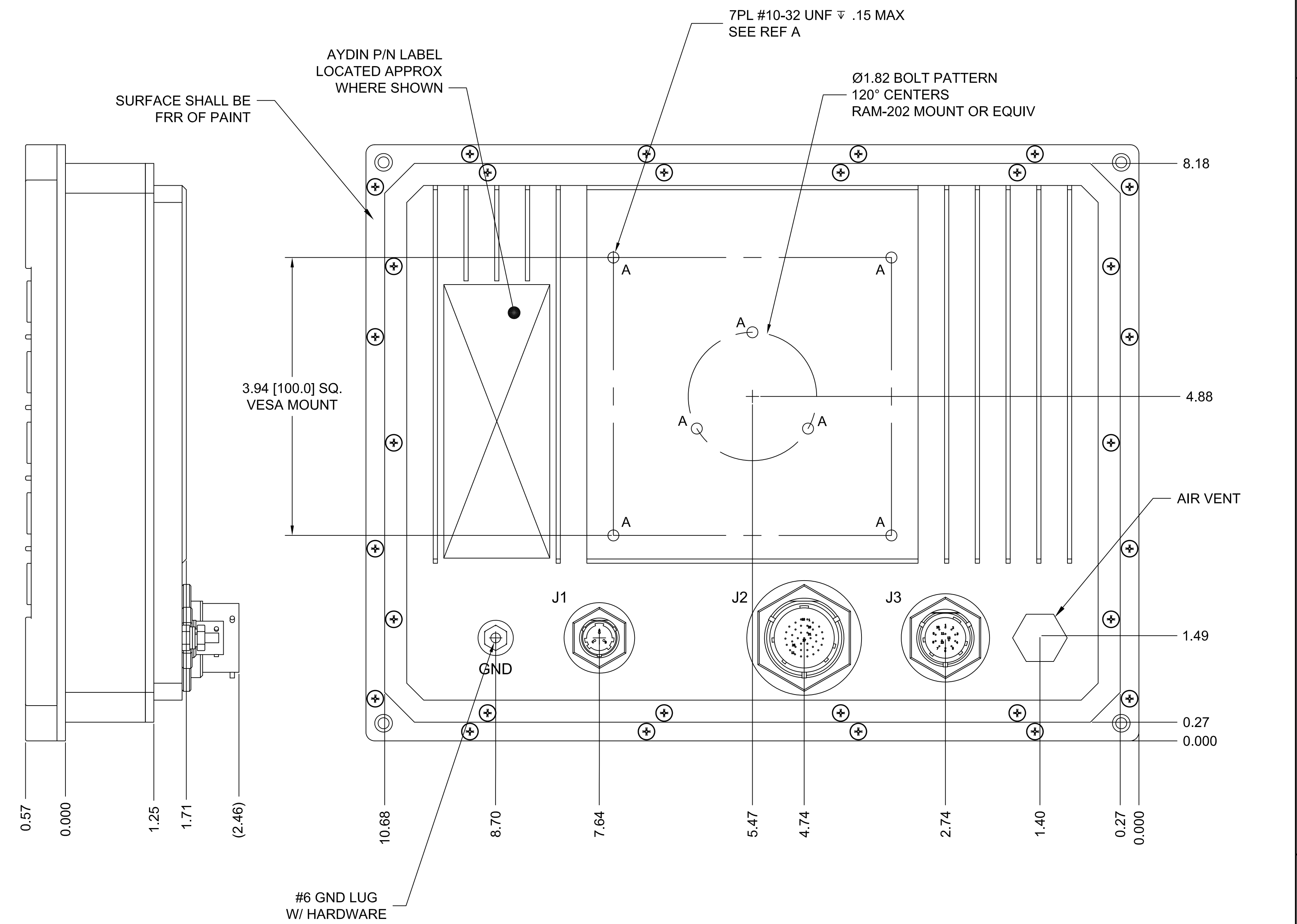
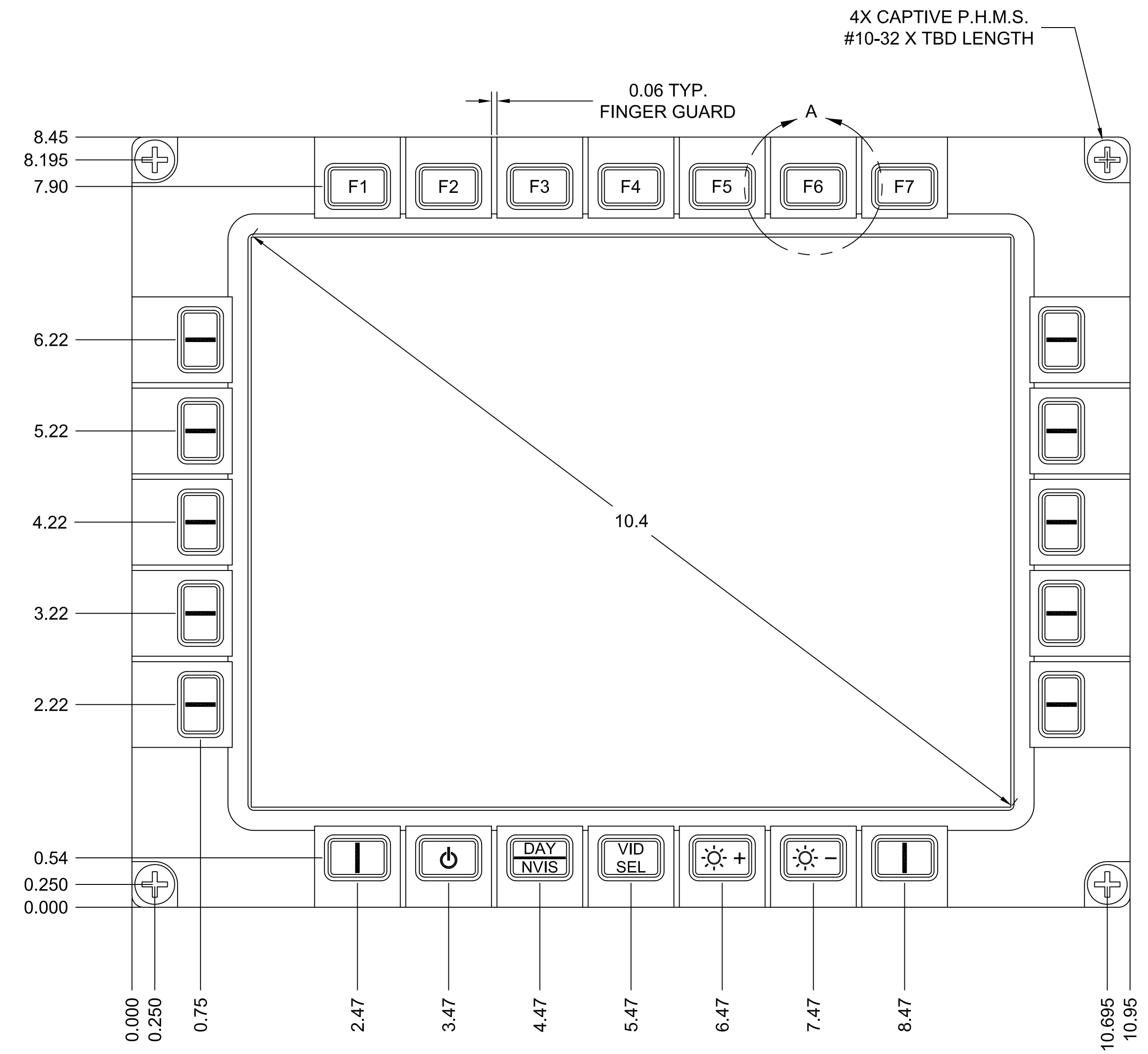


THIS DOCUMENT IS THE EXCLUSIVE PROPERTY OF SPARTON AYDIN, LLC D/B/A AYDIN DISPLAYS. CONTAINS PROPRIETARY AND CONFIDENTIAL INFORMATION OF THE COMPANY, AND IS DELIVERED ON THE EXPRESS CONDITION THAT IT IS NOT TO BE DISCLOSED OR REPRODUCED IN WHOLE OR IN PART, NOR USED FOR MANUFACTURE BY ANYONE OTHER THAN SPARTON AYDIN, LLC D/B/A AYDIN DISPLAYS; AND THAT NO RIGHT IS GRANTED TO DISCLOSE OR SO USE ANY INFORMATION CONTAINED IN THIS DOCUMENT.

REVISIONS			
LVL	DESCRIPTION	DATE	APPROVED
3	SH1, NOTE 2 CHANGE TO TYPE II CLEAR	11/20/14	J.L'H
4	SH1, ZN B4 DIM WAS 1.21 IS 1.25, DIM WAS 1.67 IS 1.71, DIM WAS 12.28 IS 2.46, SH2, ZN C8 PIN 12 MNEMONIC WAS DVI-VSNC IS HOT PLUG DETECT	8/24/15	J.L'H



DETAIL A
PUSHBUTTON OPENING TYP.



- NOTES:**
1. FINISH: IAW TT-PE-529, COLOR 27038 IAW FED-STD-595
 2. CHEMICAL FILM IAW MIL-DTL-5541F, TYPE ii, CLASS 3, COLOR: CLEAR
 3. WEIGHT ~7 LBS

UNLESS OTHERWISE SPECIFIED DIMENSIONS ARE IN INCHES AND APPLY BEFORE FINISH SURFACE ROUGHNESS 125 ✓		DRAWN B.C. 11/09/14		AYDIN DISPLAYS a sparton company	
TOLERANCE ON		CHECKED			
FRACTIONS ± 1/64	DECIMALS ± .XX=02 ± .XXX=010	ANGLES ± 1°/2	DRAFTING	INSTALLATION/OUTLINE, 10.4 INCH SEALED DISPLAY	
MATERIAL			ENGINEER		
FINISH			APPROVED MFG	SIZE D	CAGE NO. 70MF8
APPLICATION			APPROVED QA	REV 4	
			FILENAME	353-7374	
				SCALE 1/1	SHEET 1_OF_2

NXT	8810GM
NEXT ASSY	USED ON
APPLICATION	

AYDIN SHOP STANDARDS ARE AN INTEGRAL PART OF THIS DRAWING (298-0077)

THIS DOCUMENT IS THE EXCLUSIVE PROPERTY OF SPARTON AYDIN, LLC D/B/A AYDIN DISPLAYS. CONTAINS PROPRIETARY AND CONFIDENTIAL INFORMATION OF THE COMPANY, AND IS DELIVERED ON THE EXPRESS CONDITION THAT IT IS NOT TO BE DISCLOSED OR REPRODUCED IN WHOLE OR IN PART, NOR USED FOR MANUFACTURE BY ANYONE OTHER THAN SPARTON AYDIN, LLC D/B/A AYDIN DISPLAYS; AND THAT NO RIGHT IS GRANTED TO DISCLOSE OR SO USE ANY INFORMATION CONTAINED IN THIS DOCUMENT.

POWER (J1) MIL-C-26482 SERIES I

PIN	SIGNAL
A	+28 VDC
B	+28VDC RTN
C	CHASSIS GND

AMPHENOL- 71-533721-33P
MATING PLUG- PTO6E833SSR

DVI-D-V1 (J2) MIL-DTL-38999 SERIES I

PIN	MNEMONIC
1	CLK_N
2	CLK-P
3	DIGITAL_GND
4	+5V_KEYUSB_D_N
5	KEYUSB_D_N
6	KEYUSB_D_P
7	KEYUSB_GND
8	+5V_TOUCHUSB
9	TOUCHUSB_D_P
10	TOUCHUSB_D_N
11	TOUCHUSB_GND
12	HOT PLUG DETECT
13	DATA0_N
14	DATA0_P
15	DATA1_N
16	DATA1_P
17	DATA2_N
18	DATA2_P
19	DIGITAL_GND
20	DIGITAL_GND
21	GND
22	DDC_CLK
23	DDC_DATA
24	GND_DDC
25	+5V_DDC
26	DIGITAL_GND
27	DIGITAL_GND
28	DIGITAL_GND
29	DIGITAL_GND
30	DIGITAL_GND
31	NC
32	BKG0
33	RESET_N
34	+5V_D
35	GND
36	DEBUG_Tx
37	DEBUG_Rx

AMPHENOL- 88-569724-35P
MATING PLUG- MS27467E15B35S

VGA-VIDEO 2 (J3) MIL-DTL-38999 SERIES I

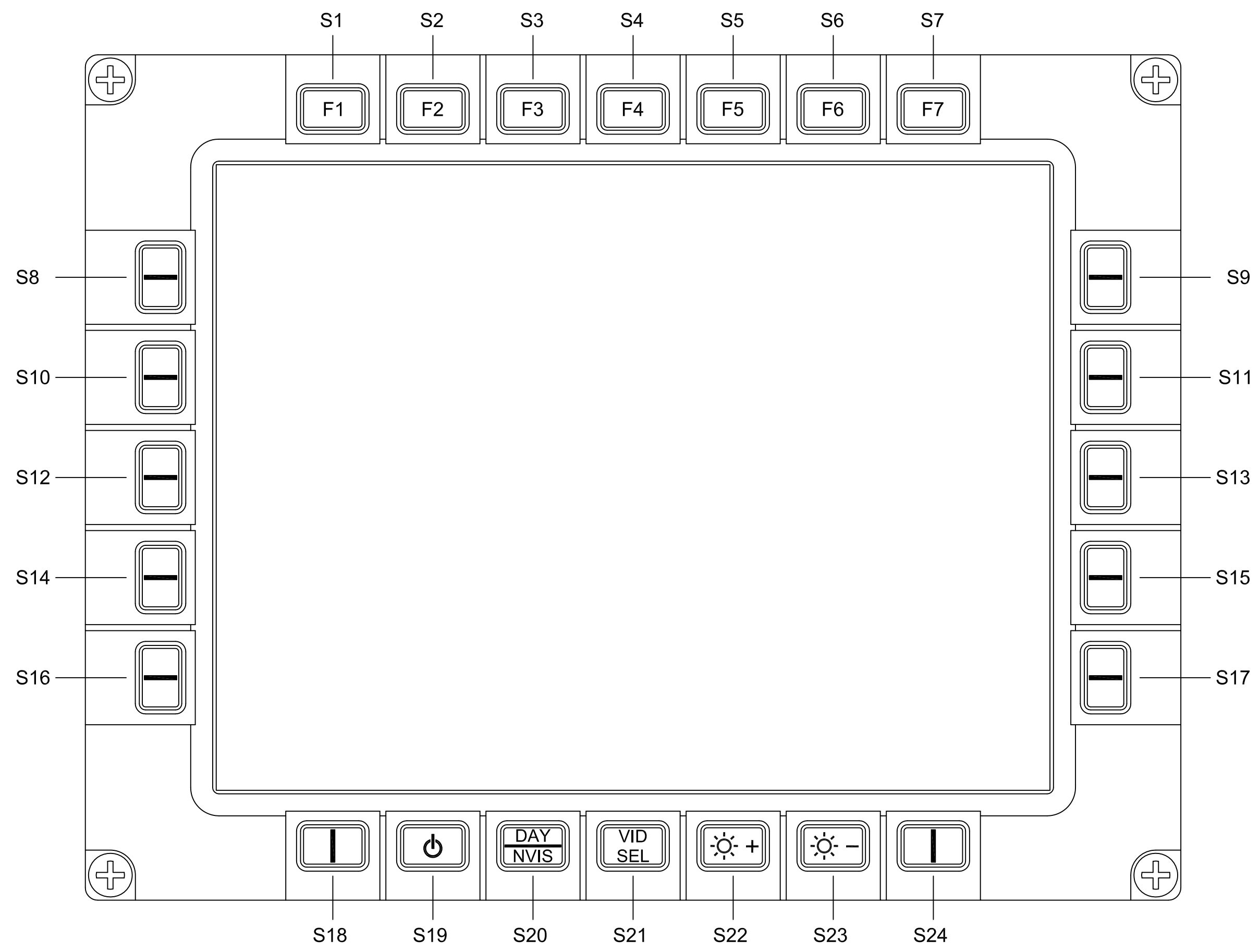
PIN	MNEMONIC
1	RED
2	RED-GND
3	GRN
4	GRN-GND
5	BLU
6	BLU-GND
7	HSYNC
8	VSYNC
9	SYNC-GND
10	NC
11	NC
12	NC
13	NC

AMPHENOL- 88-569722-35P
MATING PLUG- MS27467E11B35S

KEY	SEND DATA
S1	A
S2	B
S3	C
S4	D
S5	E
S6	F
S7	G
S8	H
S9	I
S10	J
S11	K
S12	L
S13	M
S14	N
S15	O
S16	P
S17	Q
S18	R
S19	N/A
S20	N/A
S21	N/A
S22	N/A
S23	N/A
S24	S

3.3 VDC SERIAL LINK ASCII COMMANDS ARE AS FOLLOWED:

- KEY DOWN (SENT EVERY 50msec) = qD[n]<CR><LF>
- n = SEND DATA FOR KEY
- KEY UP (ONCE ON RELEASE) = qU[n]<CR><LF>
- BAUD RATE 9600 (8,1,NONE)



INSTALLATION/OUTLINE, 10.4 INCH SEALED DISPLAY

SIZE	CAGE NO.	REV
D 70MF8	353-7374	4

SCALE 1/1 SHEET 2 OF 2