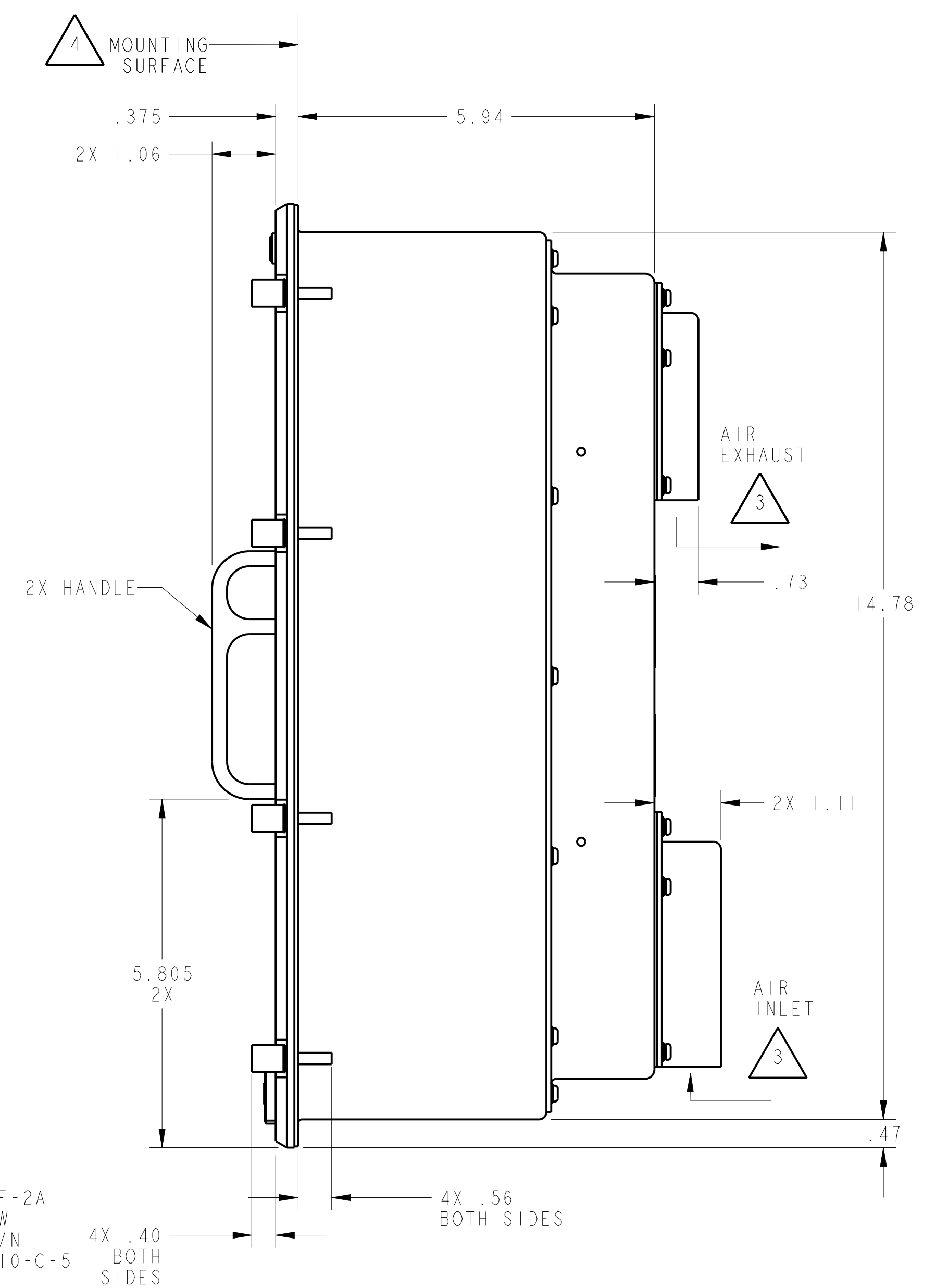
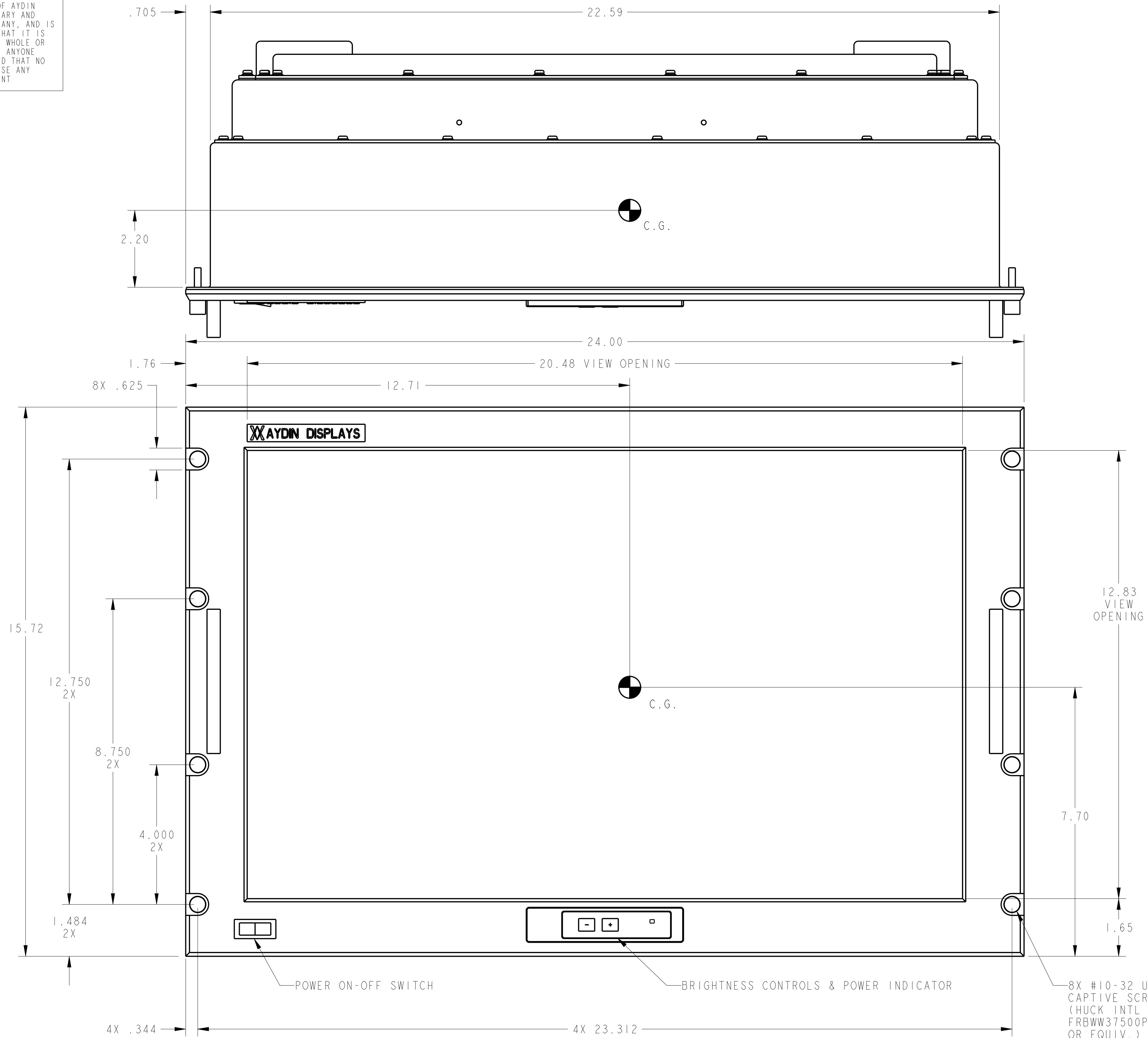


NOTICE TO PERSONS RECEIVING THIS DOCUMENT: THIS DOCUMENT IS THE EXCLUSIVE PROPERTY OF AYDIN DISPLAYS, INC. IT CONTAINS PROPRIETARY AND CONFIDENTIAL INFORMATION OF THE COMPANY, AND IS DELIVERED ON THE EXPRESS CONDITION THAT IT IS NOT TO BE DISCLOSED OR REPRODUCED IN WHOLE OR IN PART, NOR USED FOR MANUFACTURE BY ANYONE OTHER THAN AYDIN DISPLAYS, INC.; AND THAT NO RIGHT IS GRANTED TO DISCLOSE OR SO USE ANY INFORMATION CONTAINED IN THIS DOCUMENT

REVISION		DATE	APPROVED
0	INITIAL	3/28/12	EP
1	ADDED DRIP SHIELDS	FLW 5/14/12	EP
2	NOTE 2: WEIGHT: 31.0 (IST ART) WAS 32.0 (EST)	FLW 7/30/12	EP
3	NOTE 2: WEIGHT: 30.6 WAS 31.0 (IST ART)	FLW 6/28/13	EP



- NOTES:
- DIMENSIONS ARE NOMINAL AND FOR REFERENCE ONLY UNLESS OTHERWISE SPECIFIED.
 - WEIGHT: 30.6 LBS. (● DENOTES CENTER OF GRAVITY, C.G.)
 - CLEARANCE IN REAR OF UNIT TO BE APPROX 4 INCHES FOR ADEQUATE COOLING.
 - MOUNTING SURFACE OF CONSOLE MUST BE FLAT ±.030.

FRONT VIEW

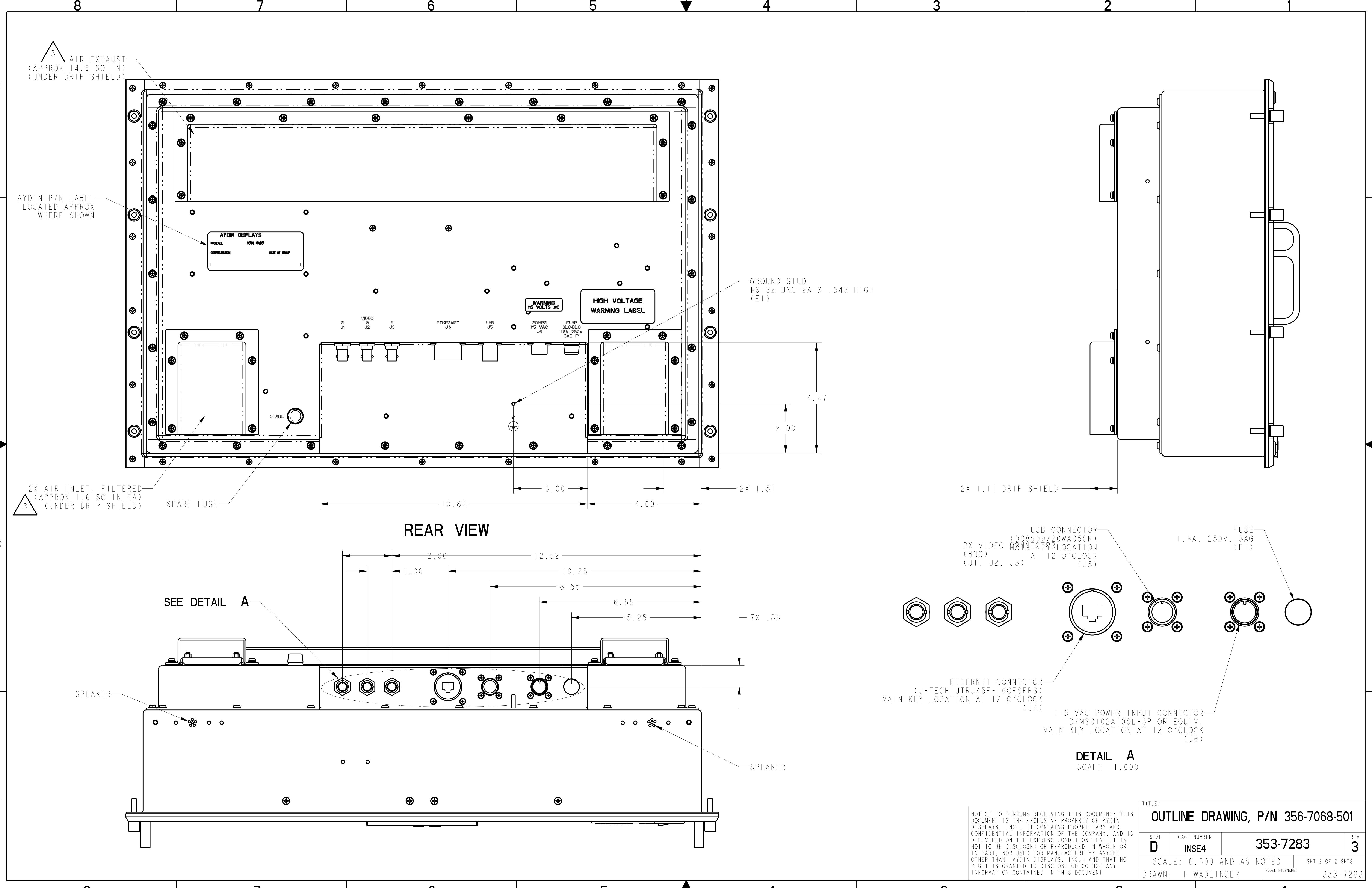
CAD DATA MANAGEMENT	
353-7283	ASM
353-7283	DRW
353-7283_REV_3	PDF

APPLICATION	
NEXT ASSY	USED ON
	353-7283

DRAWN	F. WADLINGER	12-MAR-12
CHECKED	E. PELLICCIOTTI	
DRAFTING	N/A	
ENGINEER	E. PELLICCIOTTI	
APPROVED MFG	N/A	
APPROVED QA	N/A	
MODEL FILENAME	353-7283	

AYDIN DISPLAYS INC			
TITLE: OUTLINE DRAWING, P/N 356-7068-501 (MODEL 4424S-PC)			
SIZE	CAGE NUMBER	DRAWING NUMBER	REV
D	INSE4	353-7283	3
SCALE: 0.600			SHT 1 OF 2 SHTS

PRO-E GENERATED



NOTICE TO PERSONS RECEIVING THIS DOCUMENT: THIS DOCUMENT IS THE EXCLUSIVE PROPERTY OF AYDIN DISPLAYS, INC. IT CONTAINS PROPRIETARY AND CONFIDENTIAL INFORMATION OF THE COMPANY, AND IS DELIVERED ON THE EXPRESS CONDITION THAT IT IS NOT TO BE DISCLOSED OR REPRODUCED IN WHOLE OR IN PART, NOR USED FOR MANUFACTURE BY ANYONE OTHER THAN AYDIN DISPLAYS, INC.; AND THAT NO RIGHT IS GRANTED TO DISCLOSE OR SO USE ANY INFORMATION CONTAINED IN THIS DOCUMENT

TITLE: OUTLINE DRAWING, P/N 356-7068-501			
SIZE	CAGE NUMBER	353-7283	REV
D	INSE4		3
SCALE: 0.600 AND AS NOTED			SHT 2 OF 2 SHTS
DRAWN: F WADLINGER		MODEL FILENAME:	353-7283