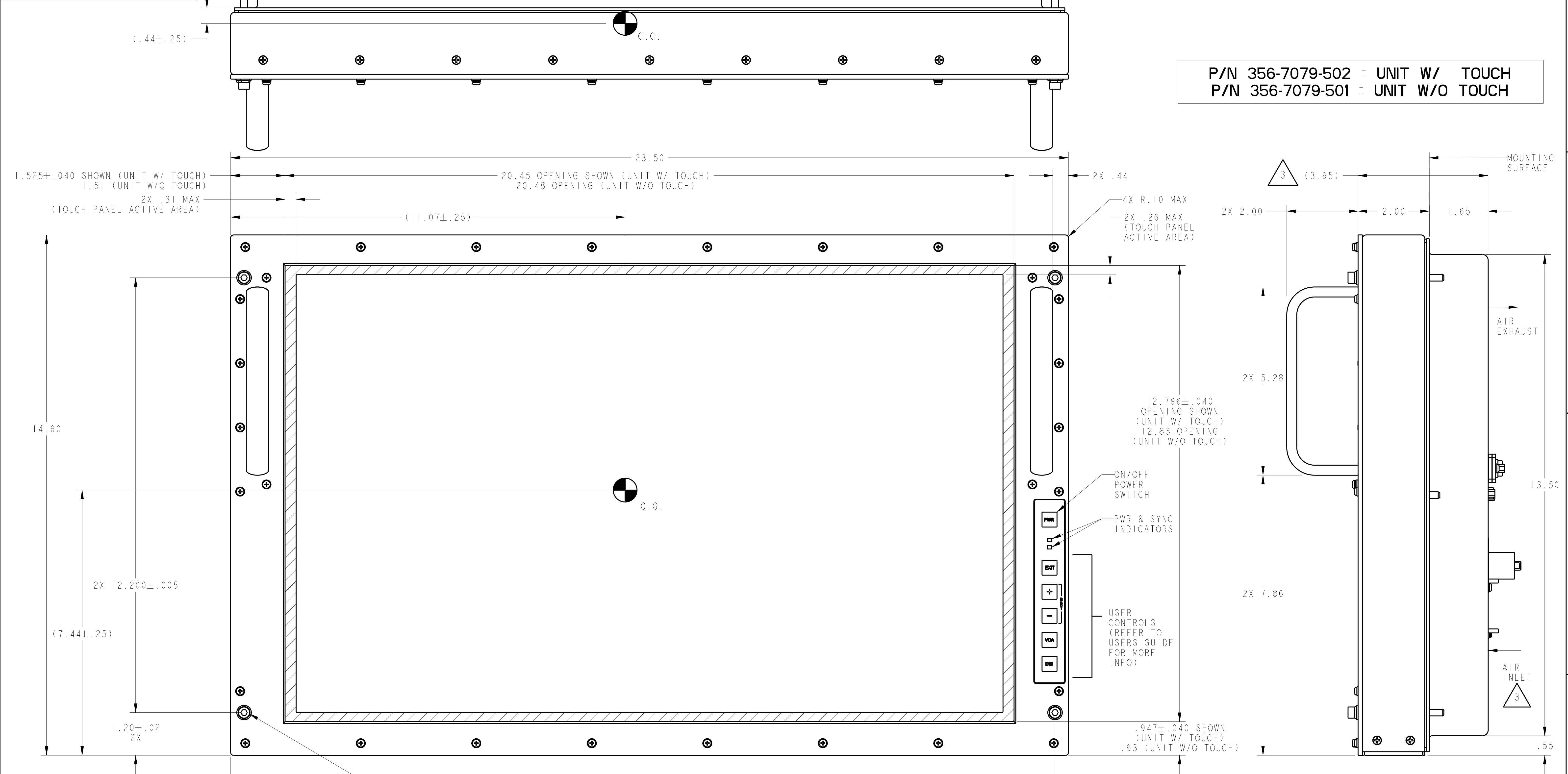


NOTICE TO PERSONS RECEIVING THIS DOCUMENT: THIS DOCUMENT IS THE EXCLUSIVE PROPERTY OF AYDIN DISPLAYS, INC. IT CONTAINS PROPRIETARY AND CONFIDENTIAL INFORMATION OF THE COMPANY, AND IS DELIVERED ON THE EXPRESS CONDITION THAT IT IS NOT TO BE DISCLOSED OR REPRODUCED IN WHOLE OR IN PART, NOR USED FOR MANUFACTURE BY ANYONE OTHER THAN THE AYDIN DISPLAYS, INC.; AND THAT NO RIGHT IS GRANTED TO DISCLOSE OR SO USE ANY INFORMATION CONTAINED IN THIS DOCUMENT

ZONE		LTR		REVISION DESCRIPTION	DATE	APPROVED
		0		INITIAL	10/5/12	EP
		1		SHT 1, ZN B3: USER CONTROLS OVERLAY UPDATED; ZN A8, NOTE 2: 31.4 WAS 30.9 & 30.6 WAS 31.1. EK 1/8/13	-	EP
		-		RELEASED (SAME AS REV. 1)		

P/N 356-7079-502 = UNIT W/ TOUCH
P/N 356-7079-501 = UNIT W/O TOUCH



- NOTES:
- TOLERANCES: .XX = ±0.04
.XXX = ±0.020 UNLESS OTHERWISE SPECIFIED.
 - WEIGHT: 31.4 LBS. NOMINAL W/ TOUCH (FIRST ARTICLE); 30.6 LBS. NOMINAL W/O TOUCH (FIRST ARTICLE). DENOTES CENTER OF GRAVITY, C.G.

CLEARANCE IN REAR OF UNIT TO BE ADEQUATE FOR COOLING AND CABLING

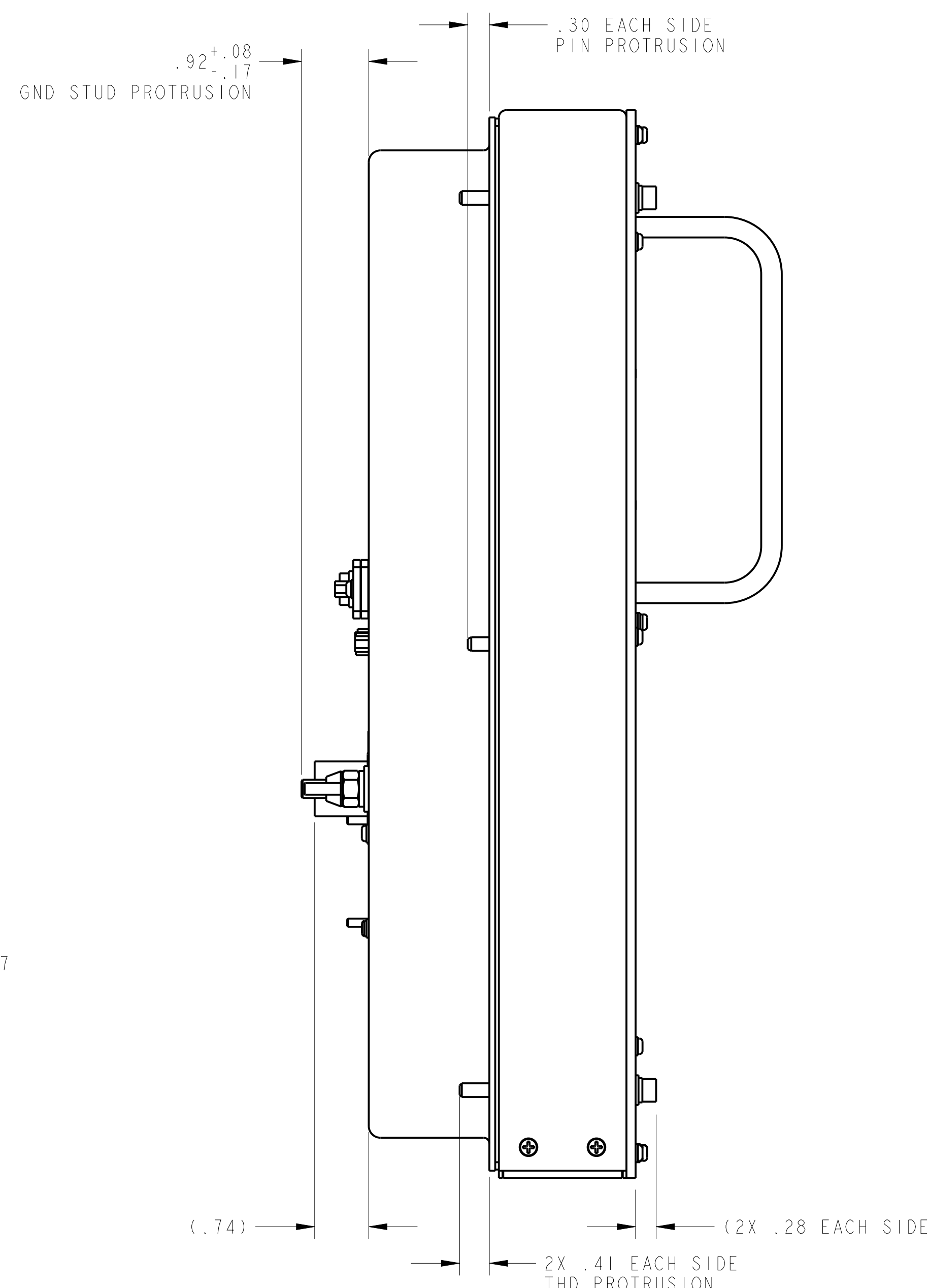
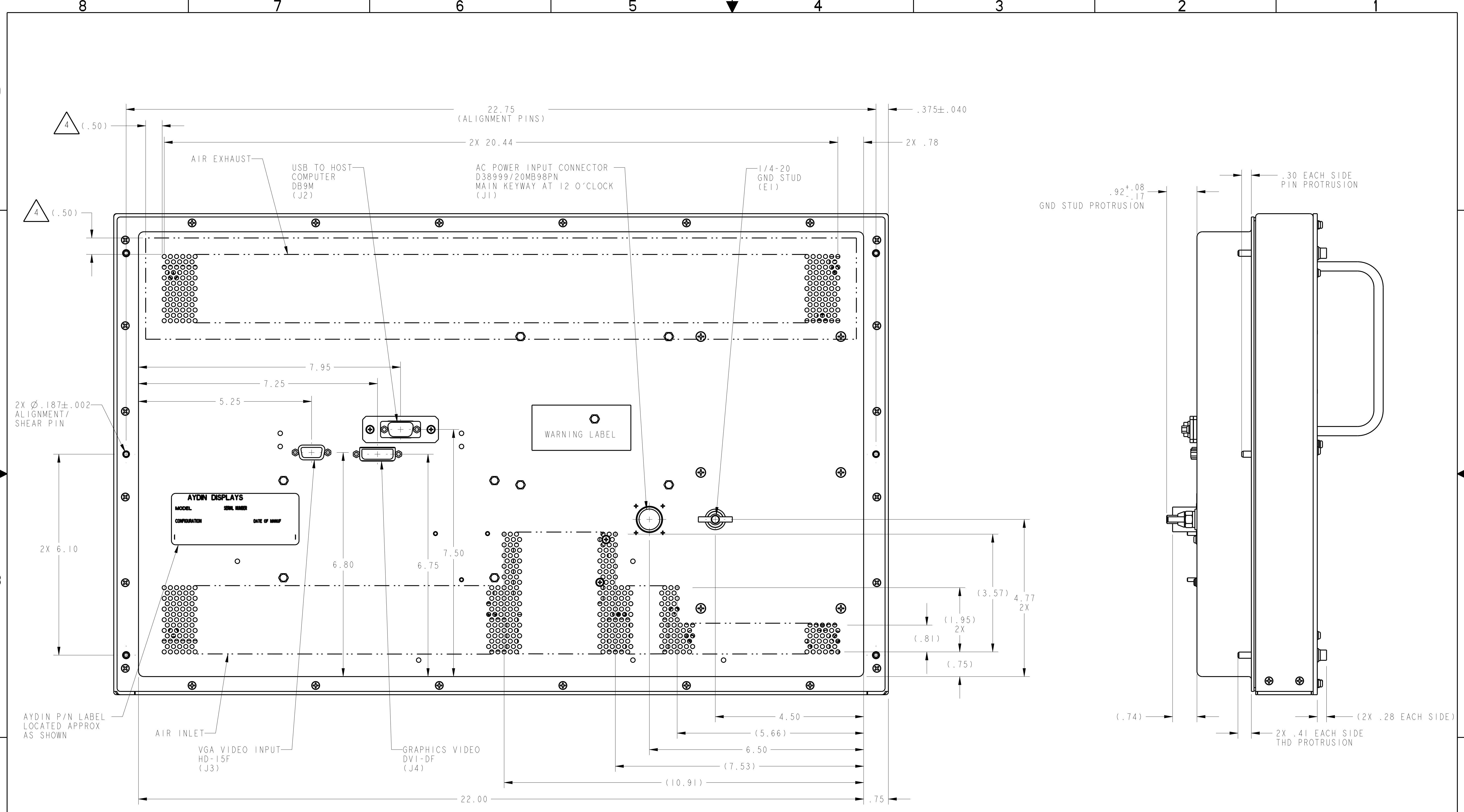
A .50-IN. MINIMUM KEEP-OUT IS REQUIRED AROUND THE PERIMETER OF THE AIR EXHAUST OPENING TO ALLOW FOR MATING TO THE MCW PLENUM. COUNTERSUNK OR FLUSH MOUNT HARDWARE WITHIN THE KEEP-OUT IS PERMISSIBLE.

DRAWN	E. KIRNER	9/12/12
CHECKED	E. PELLICCIOTTI	
DRAFTING	N/A	
ENGINEER	E. PELLICCIOTTI	
APPROVED MFG	N/A	
APPROVED QA	N/A	
MODEL FILENAME	353-7294	

AYDIN DISPLAYS INC			
TITLE: OUTLINE DRAWING, MODEL 4424HA			
SIZE	CAGE NUMBER	DRAWING NUMBER	REV
D	INSE4	353-7294	-
SCALE: 0.750			SHT 1 OF 2 SHTS

UNLESS OTHERWISE SPECIFIED DIMENSIONS ARE IN INCHES
NEXT ASSY USED ON APPLICATION

PRO-E GENERATED



REAR VIEW

NOTICE TO PERSONS RECEIVING THIS DOCUMENT: THIS DOCUMENT IS THE EXCLUSIVE PROPERTY OF AYDIN DISPLAYS, INC.. IT CONTAINS PROPRIETARY AND CONFIDENTIAL INFORMATION OF THE COMPANY, AND IS DELIVERED ON THE EXPRESS CONDITION THAT IT IS NOT TO BE DISCLOSED OR REPRODUCED IN WHOLE OR IN PART, NOR USED FOR MANUFACTURE BY ANYONE OTHER THAN THE AYDIN DISPLAYS, INC.; AND THAT NO RIGHT IS GRANTED TO DISCLOSE OR SO USE ANY INFORMATION CONTAINED IN THIS DOCUMENT

CAD DATA MANAGEMENT	
353-7294	ASM
353-7294	DRW
353-7294-REV--	PDF

TITLE: OUTLINE DRAWING, MODEL 4424HA			
SIZE D	CAGE NUMBER INSE4	353-7294	REV -
SCALE: .750		SHT 2 OF 2 SHTS	
DRAWN: E. KIRNER		MODEL FILENAME: 353-7294	