



MODEL 4419P1-SD

*19" RUGGED COTS
SMART DISPLAY FOR
DEFENSE APPLICATIONS*

FEATURES:

- Convenient Front Controls and Audio Speaker
- LED Backlights
- Wide Dimming Range and Viewing Angle
- Anti-Reflective Protective Viewing Window
- Integrated PC supporting Windows or Linux

OPTION:

- Resistive Touch Screen

Aydin is:

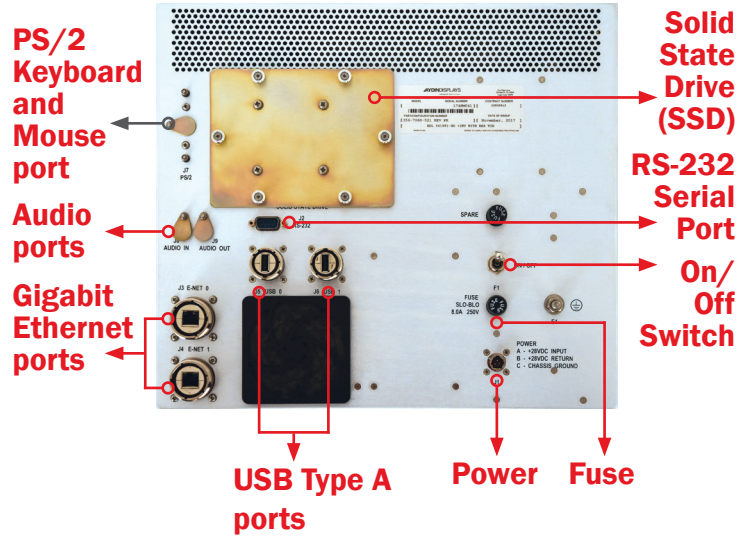


11/1/22_REV 1

1 Riga Lane, Birdsboro,
PA 19508, U.S.A.,
1-866-367-2934

SPECIFICATIONS:

Type:	19" TFT Active Matrix LCD
Active Display Area:	14.816" x 11.853"
Pixel Pitch:	0.294 x 0.294 mm
Brightness:	400 cd/m ² minimum (with EMI Window only) 250 cd/m ² minimum (with touch)
Viewing Angle:	±80° All Directions
Contrast Ratio:	1000:1
Response Time:	20 ms (Typical)
Display Colors:	16 million
Native Resolution:	1280 x 1024
Display Controls:	Brightness
Processor:	2.4 GHz Intel i3, 3120 with 3MB Cache memory (i5 and i7 processors also available)
System Chipset:	Intel BD82HM65
Memory:	Up to 8 GB Dual Channel DDR3
Storage:	Up to 1TB removable SSD with SATA III Transfer speed
Real Time Clock	Battery Backup
OS Support	Windows 10, 8, 7, XP, Linux
Temperature:	Operating (Sea Level): 0°C to 50°C, MIL, STD-810F Method 501.4/502.4, Procedure II Storage: -25°C to +65°C, MIL, STD-810F Method 501.4/502.4, Procedure II
Humidity:	Operating/Storage: 5 to 95% RH Non-condensing, MIL, STD-810F Method 507.4, Procedure II



Altitude:	Operating: 0 to 20,000 ft. above sea level Storage: 0 to 54,000 ft, above sea level MIL, STD-810F Method 500.3
Shock:	MIL-S-901D, Grade A, Class 1 Type A
Vibration:	MIL-STD-167-1A, Type 1
Drip Proof:	MIL-STD-810F, Method 506.4 Procedure III Front Panel Only
Fungus:	MIL-STD-810F, Method 508.5
EMI:	MIL-STD-461F CE102, RE101, RE102, CS101, CS114, CS116, RS101, RS103
Power Requirements:	Voltage: 28VDC Power: 70 Watts(Typical) Chassis Connector: MS3470L8-33P Cable Connector: MS3476W8-33S
Dimensions:	19.00"W x 15.75"H x 4.75" DP (excluding connectors)
Weight:	23.2 lbs